



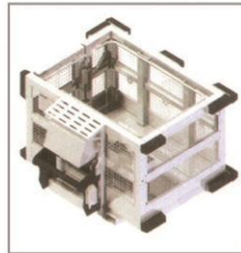
**Basic Information**

**Optional Configuration**

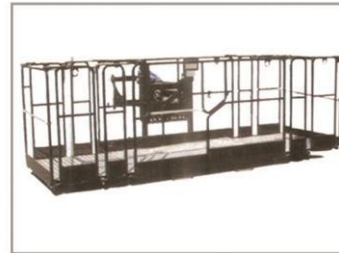
Machine weight  
**13000kg**

Wheel base  
**3050mm**

Rated power  
**84.6kw**



Mine working platform



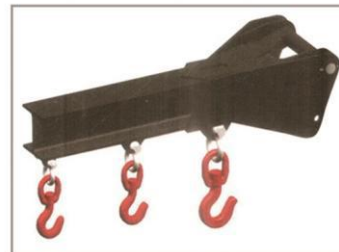
Folding working platform



Fork



Single hook boom



Three hook boom



Hoist



Bucket



Tire Manipulator



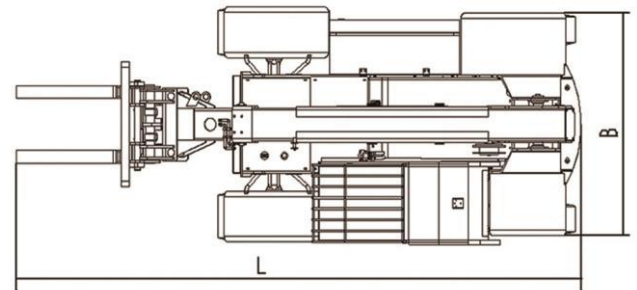
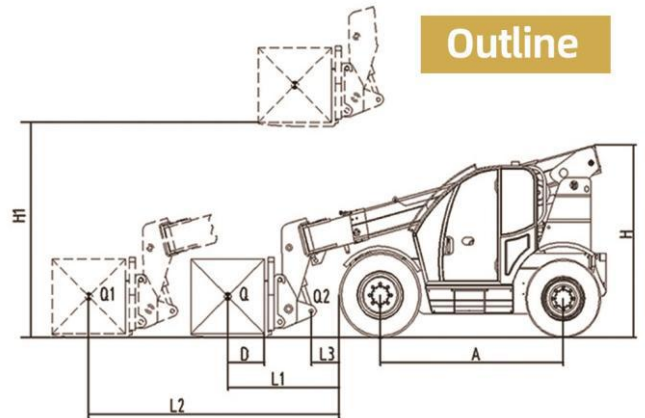
Cylinder manipulator

# Basic Parameters

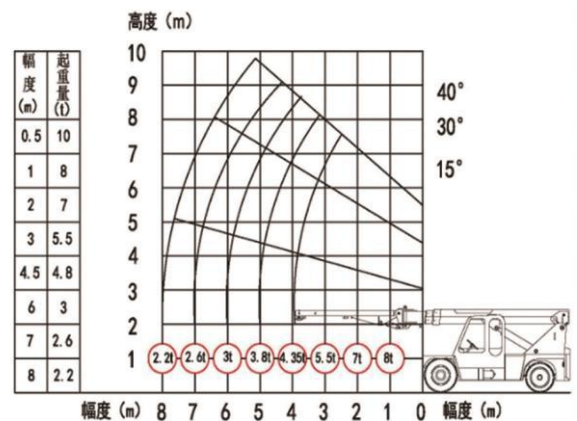
## Technical Specification

Model	FK-F10T
Rated lifting moment	10x0.5 t.m
Machine weight	13000 kg
Maximum operating height of the main hook at the maximum extension distance	7060(+/-100) mm
Lifting height of max external extension of accessory hook	9850(+/-100) mm
Maximum extension of the main hook	4710 mm
Maximum lateral extension of accessory hook (horizontal)	8000 mm
Lifting height of max external extension of accessory hook	2000 kg
Lifting speed Starting arm (a=6°to40°)	11.5 s
Rain arm (a=40° to -6°)	10.5 s
Expansion speed Stretch out the whole course	14.3 s
Full-scale back-up	18.3 s
Running speed Forward gear I/II	10/25 km/h
Reverse gear I/II	10/25 km/h
Maximum grade ability(empty load)	≤18°
Minimum turing radius(out center)	4300 mm
Wheel base	3050 mm
Front wheel	1600 mm
Rear wheel	1650 mm
Engine Model	Yuchai
Rated power	84.6/2200 kw/rpm
Max torque	450/1500 N. m/rpm

## Outline



Lifting characteristic curve table



## Optional accessories



### Usage Notice

1. When hoisting, the lateral slope of the stop surface is not more than 5%, and the center of gravity is strictly prohibited to exceed the center of the front axle. The lifting capacity should be strictly controlled within the lifting performance range, and overloading is strictly prohibited.
2. When driving with a hoist, the cross slope of the road is not more than 5%, and the driving speed is not more than 5 km/h. Emergency braking and sharp turns are strictly prohibited.
3. The working range in the lifting characteristics refers to the distance from the center of gravity of the lifting weight to the front end of the vehicle, and the lifting height refers to the height from the unloaded hook to the ground

\*We follow the principle of continuous improvement Product performance parameters will be partially changed due to technical improvements without prior notice.

Contact us:

Phone/Whatsapp:+8613505697380

Email:fk002@fukebn.com/fuke7380@gmail.com

**FUKE**

Anhui Fuke Heavy Industry Equipment Co., Ltd.